

The HN39 Series instrument valves are compact and economical high pressure instrument block valves.

Stem tip is non-rotating tip (NRT) style, standard.

Product Availability

All valves have integral hard seats, 316 stainless steel body and trim and Teflon/Grafoil packing. Valves are furnished with panel mount nut.

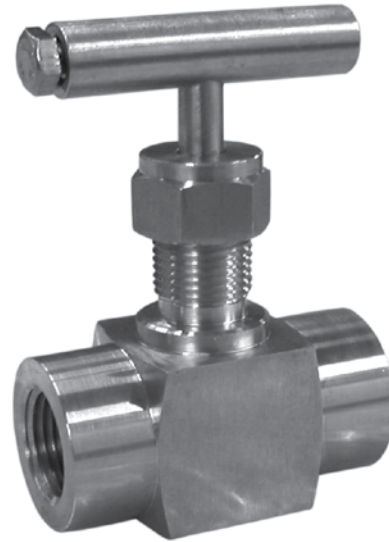
Hastelloy C, Monel models available upon request.

Ratings

Stainless Steel to 6980 psig @ 100°F (481 bar @ 38°C).
450°F (232,2°C) limit for Teflon packed valves. 1000°F (537,8°C) limit for Grafoil packed valves.

Features and Benefits

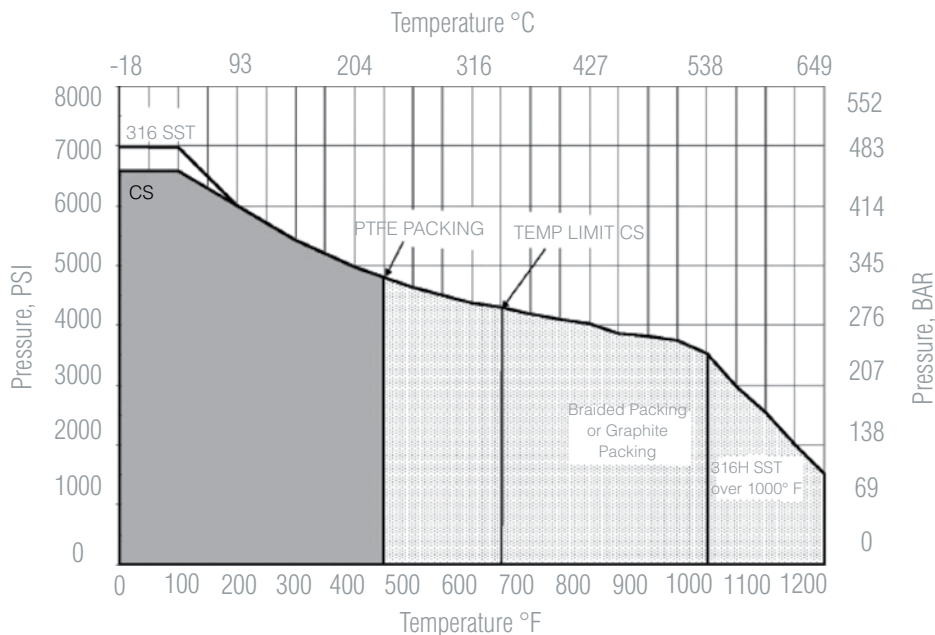
- Non-Rotating Tip Provides tight repeatable shutoff without galling or cross scoring that occurs on ball type stems.
- Integral Body and Bonnet design



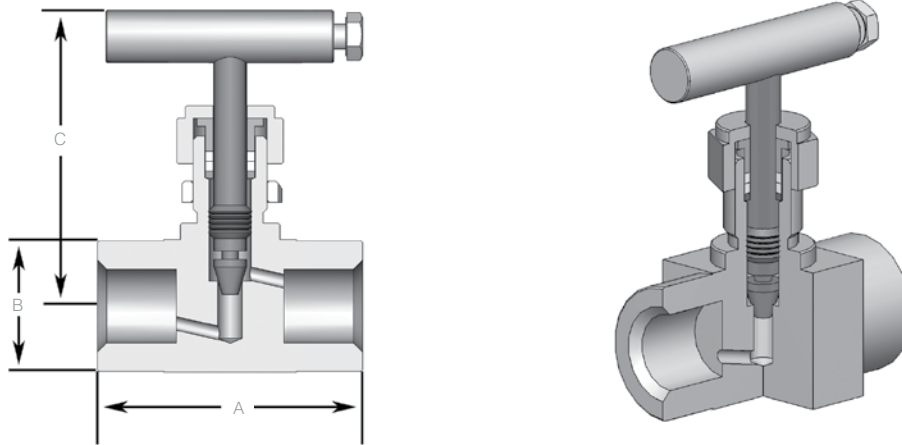
Flow Schematic



Pressure and Temperature Chart



Dimensions



Connection	Dimensions, inches (mm)			Weight Lbs (Kgs)	Orifice Size
	A	B	C		
1/8" (DN6) MNPT x MNPT	2.00 (51)	0.88 (221)	2.63 (67)	1.0 (0,5)	0.12" (3)
1/4" (DN8) MNPT x MNPT	2.00 (51)	0.88 (221)	2.63 (67)	1.0 (0,5)	0.18" (5)
3/8" (DN10) MNPT x MNPT	2.50 (64)	1.25 (32)	3.50 (89)	1.7 (0,8)	0.24" (6)
1/2" (DN15) MNPT x MNPT	2.50 (64)	1.25 (32)	3.50 (89)	1.7 (0,8)	0.24" (6)
3/4" (DN20) MNPT x MNPT	2.63 (67)	1.38 (35)	3.75 (95)	2.1 (1,0)	0.39"(10)
1/8" (DN6) FNPT x FNPT	2.00 (51)	0.88 (22)	2.63 (67)	1.0 (0,5)	0.12" (3)
1/4" (DN8) FNPT x FNPT	2.00 (51)	0.88 (22)	2.63 (67)	1.0 (0,5)	0.18" (5)
3/8" (DN10) FNPT x FNPT	2.50 (64)	1.25 (32)	3.50 (89)	1.7 (0,8)	0.24" (6)
1/2" (DN15) FNPT x FNPT	2.50 (64)	1.25 (32)	3.50 (89)	1.7 (0,8)	0.24" (6)
3/4" (DN20) FNPT x FNPT	2.63 (67)	1.38 (35)	3.75 (95)	2.1 (1,0)	0.39"(10)
1/8" (DN6) Tube Nut	2.00 (51)	0.88 (22)	2.63 (67)	1.0 (0,5)	0.12" (3)
1/4" (DN8) Tube Nut	2.00 (51)	0.88 (22)	2.63 (67)	1.0 (0,5)	0.18" (5)
3/8" (DN10) Tube Nut	2.00 (51)	1.25 (32)	3.50 (89)	1.7 (0,8)	0.24" (6)
1/2" (DN15) Tube Nut	2.00 (51)	1.25 (32)	3.50 (89)	1.7 (0,8)	0.24" (6)
3/4" (DN20) Tube Nut	2.00 (51)	1.38 (35)	3.75 (95)	2.1 (1,0)	0.39"(10)
1/8" (DN6) MNPT x FNPT	2.00 (51)	0.88 (22)	2.63 (67)	1.0 (0,5)	0.12" (3)
1/4" (DN8) MNPT x FNPT	2.00 (51)	0.88 (22)	2.63 (67)	1.0 (0,5)	0.18" (5)
3/8" (DN10) MNPT x FNPT	2.50 (64)	1.25 (32)	3.50 (89)	1.7 (0,8)	0.24" (6)
1/2" (DN15) MNPT x FNPT	2.50 (64)	1.25 (32)	3.50 (89)	1.7 (0,8)	0.24" (6)
3/4" (DN20) MNPT x FNPT	2.63 (67)	1.38 (35)	3.75 (95)	2.1 (1,0)	0.39"(10)

How to Order			
Model Number	Connection Type	Size	Option
HN39	M = MNPT x MNPT	1 = 1/8" (DN6) (NPT)	G = Grafoil Packing
	F = FNPT x FNPT	2 = 1/4" (DN8) (NPT)	R = Round Handle
	T = Tube Nut x Tube Nut	3 = 3/8" (DN10) (NPT)	B = BSPP Ends
	MF = MNPT x FNPT	4 = 1/2" (DN15) (NPT)	T = BSPT Ends
	FM = FNPT x MNPT	6 = 3/4" (DN20) (NPT)	
	Z = Non-Standard	6MM = 6mm (Tube Nut)	
		8 = 1" (DN25) (NPT)	
		8MM = 8mm (Tube Nut)	
		10MM = 10mm (Tube Nut)	
		14MM = 14mm (Tube Nut)	
		18MM = 18mm (Tube Nut)	
		25MM = 25mm (Tube Nut)	
		Z = Non-Standard	

Standard packing is TFE. Add "-G" for grafoil.

If more than one option is required, separate option codes with - (dash). See examples: HN39F-4-G; HN39M-1-B

Sample Ordering Schematic

HN39	T	6MM	G
------	---	-----	---